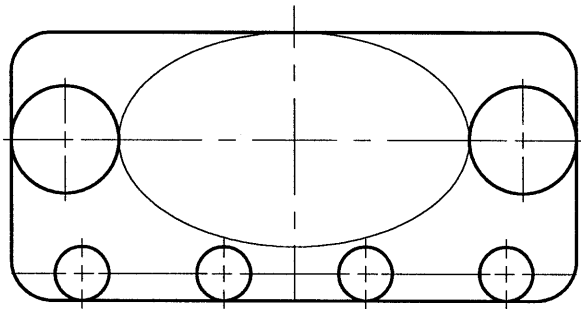
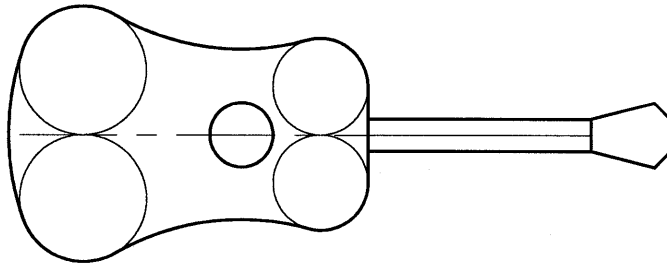


**TECHNICAL GRAPHICS**  
**ORDINARY LEVEL**  
**MARKING CONFERENCE**

**Venue: Athlone Institute of Technology**

**Tuesday 2nd July 2002 at 10.30a.m.**



**CONFIDENTIAL**

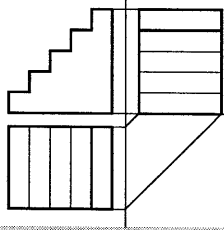
**To be returned once the marking is completed**

**(Section XVI of Booklet S.63 — Instruction to Assistant Examiners)**



**AN ROINN OIDEACHAIS AGUS EOLAÍOCHTA | DEPARTMENT OF EDUCATION AND SCIENCE**

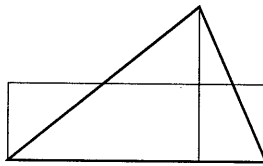
1 Comp. End Elev. 6  
 Comp. Plan. 6  
 (2 for each line)



2 12 marks good attempt at pictorial sketch  
 (6 for each block)

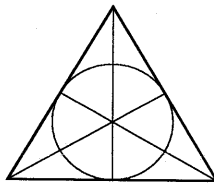
3 (i) 6 marks (i) Mouse  
 (ii) 6 marks (ii) Floppy Disk

4 Correct Rect. 12  
 (incorrect 2 for



5 Tangent 4  
 Major Axis 4  
 Minor Axis 4

6 Correct 12  
 (incorrect 2 for



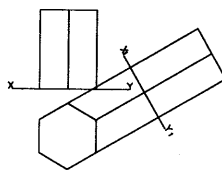
7 2 each line 12



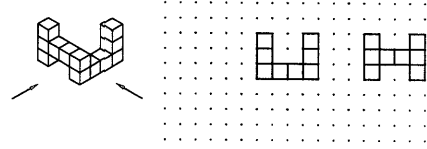
8 A 3M 6  
 B 5.5M 6  
 (A 3.1 / 2.9M give 4)  
 (B 5.4 / 5.6M give 4)

9 48 sq units. 12  
 47/49 give 8

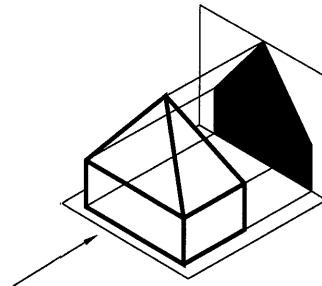
10 Proj. to Aux. 3  
 Correct height 4  
 Comp. Fig. 5  
 (1 for each line)



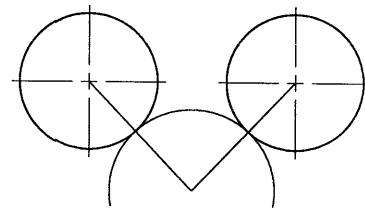
11 6 each  
 2 marks each row, counting  
 from the base up.



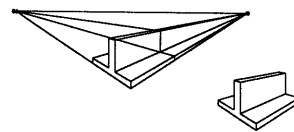
12 Proj. to V.P. 5  
 Outline Fig. 4  
 Shading 3



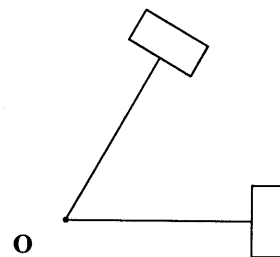
13 Correct 12  
 (incorrect 2 for attempt)



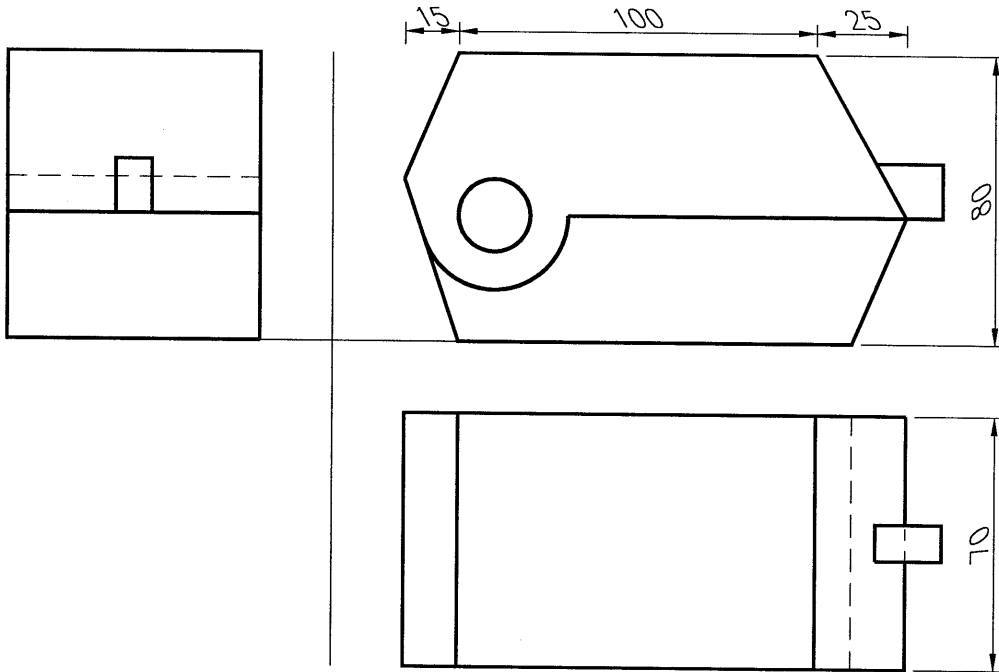
14 Proj. to V.P's 10 (2 each)  
 Comp. Fig. 2



15 Correct 12  
 Incorrect orientation 8



QUESTION 1 Paper B 2002



**ORTHOGRAPHIC OUTLINE (10)**

**ELEVATION (18)**

- 10 1 each line
- 8 4 each circle

**PLAN (16)**

- 13 1 each line + 1 each hidden detail
- 3 correct projection of button from elevation

**END ELEVATION (10)**

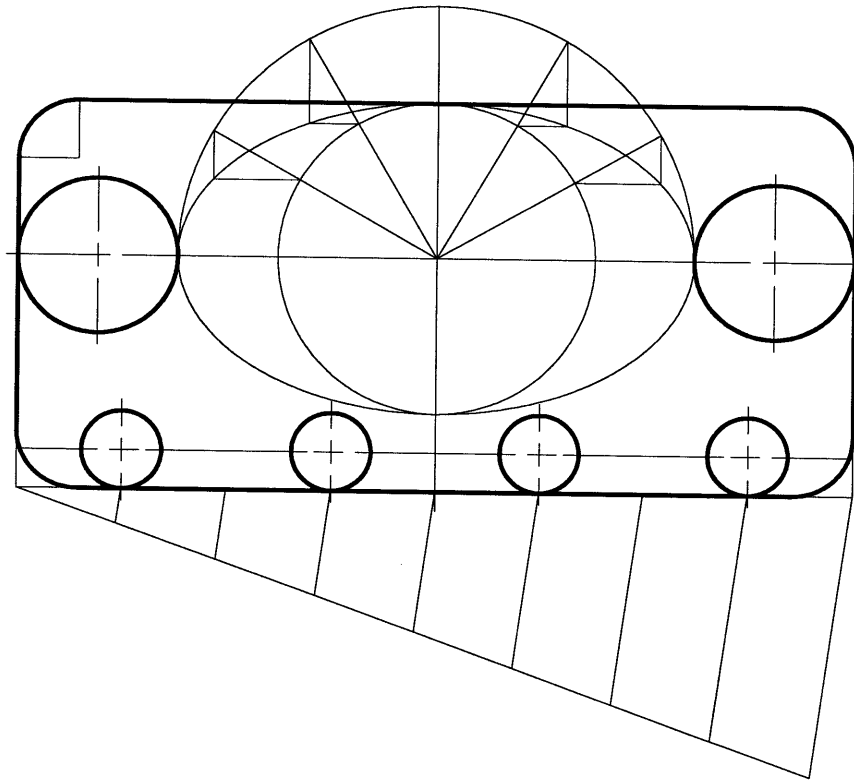
- 10 1 for each line + 1 hidden detail

**DIMENSIONS (4)**

**DRAUGHTING (12)**

MARKS
10
10
8
13
3
10
4
12

QUESTION 2 Paper B 2002



**ELLIPSE (30)**

- 6 Major & Minor Axis, 2 x 3 each
- 16 **Locating points on the curve**
- 8 Drawing curve

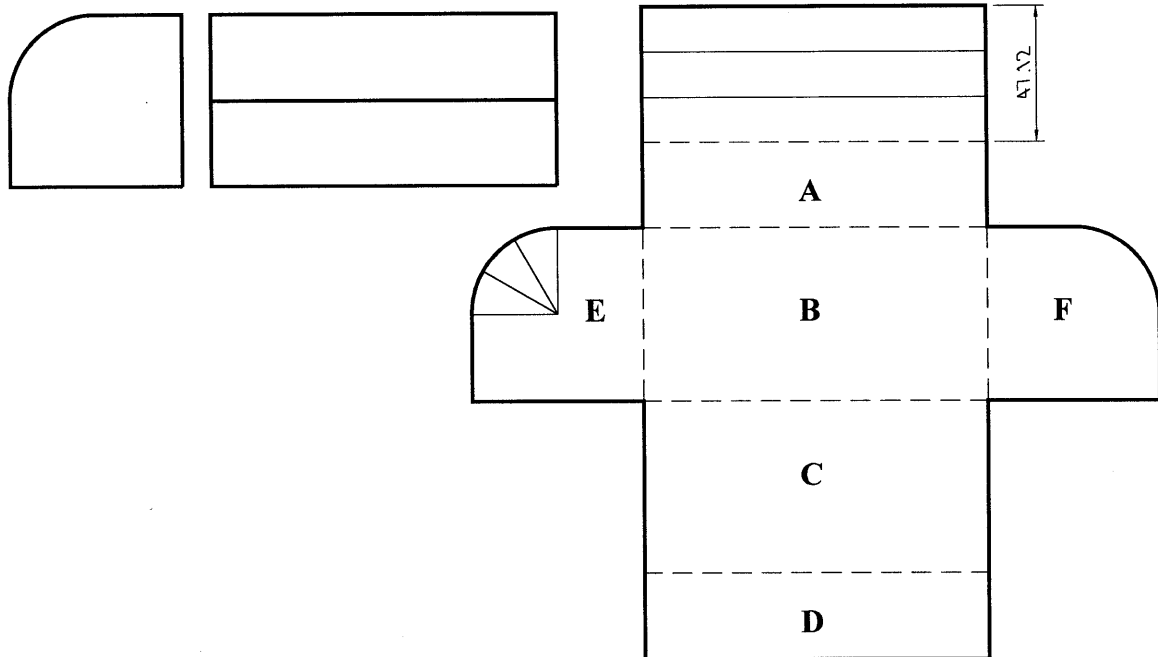
**OUTLINE (28)**

- 4 Rectangle
- 8 R15 arcs, 2 each
- 4 R20 circles, 2 each
- 8 **Location of centres for circles**
- 4 Drawing circles, 1 each

**DRAUGHTING (12)**

MARKS
6
16
8
4
8
4
8
4
12

QUESTION 3 Paper B 2002



**ORTHOGRAPHIC OUTLINE (17)**

- 6 Outline of Elevation and End Elevation
- 5 Elevation, 1 for each line
- 6 End Elevation, 1 for each line, 2 for curve.

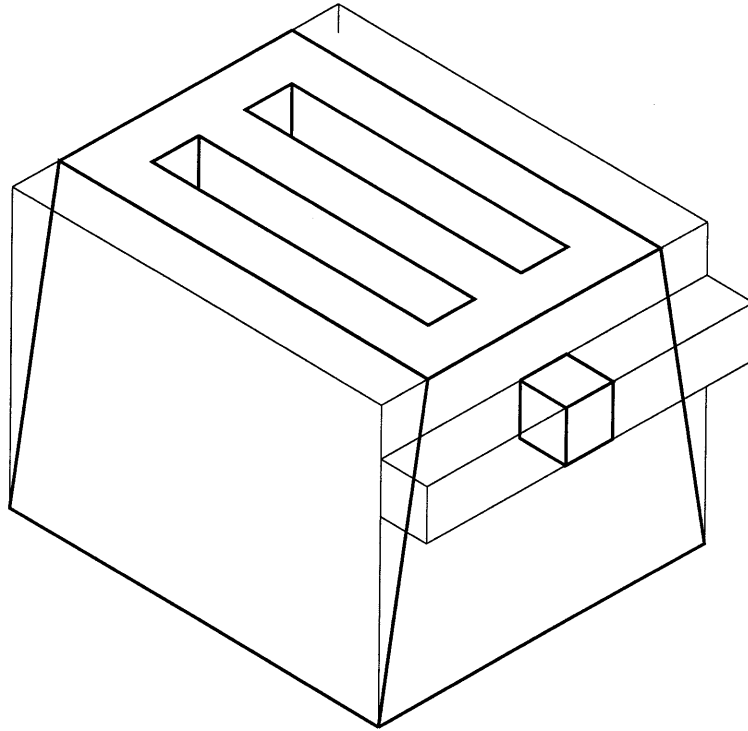
**DEVELOPMENT (41)**

- 13 Sides **A, B, C** and **D** 1 for each line
- 10 Sides **E** and **F** 1 for each line, 2 each for curves.
- 6 Curved surface, 1 each line + **3 for correct length.**
- 6 **Fold lines hatched**
- 6 **Economy of folds** (One piece development)

**DRAUGHTING (12)**

MARKS
6
5
6
13
10
6
6
6
12

QUESTION 4a Paper B 2002



**OUTLINE IN ISOMETRIC (24)**

- 15 Outline height, length and depth 3 x 5 each  
(-3 for each if inaccurate)
- 9 **30° angle** (-9 if isometric grid paper is used)

**COMPLETION (34)**

- 9 Body of Toaster 1 for each line
- 4 **Correct position of openings** 2 each
- 10 Openings 1 for each line
- 2 **Correct position of button**
- 9 Button 1 for each line

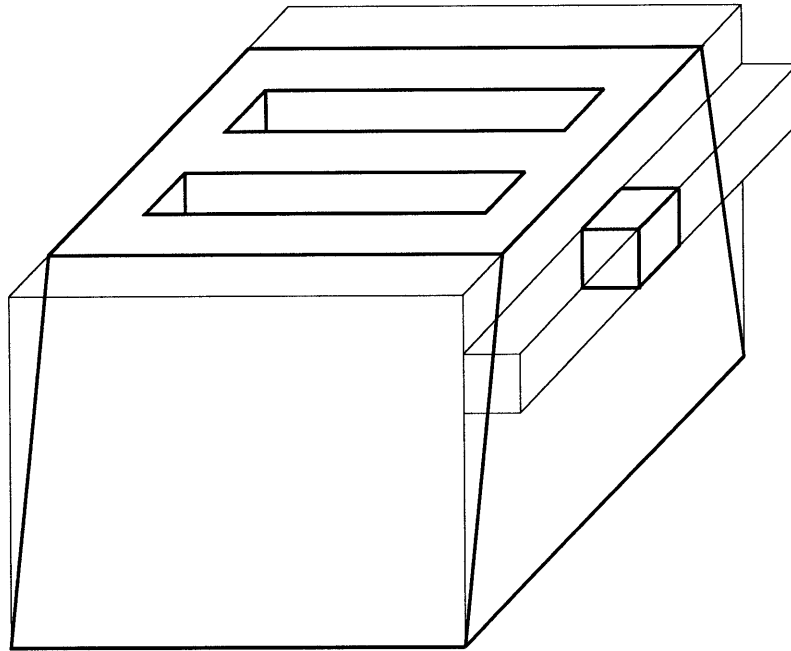
**DRAUGHTING (12)**

MARKS
15
9
9
4
10
2
9
12

**N.B.**

If the solution is presented on isometric grid paper only, apply the scheme, but multiply this mark by .75.

QUESTION 4b Paper B 2002



**OUTLINE IN OBLIQUE (24)**

- 15 Outline height, length and depth 3 x 5 each  
(-3 for each if inaccurate)
- 9 **45° angle** (-9 if squared grid paper is used)

**COMPLETION (34)**

- 9 Body of Toaster 1 for each line
- 4 **Correct position of openings** 2 each
- 10 Openings 1 for each line
- 2 **Correct position of button**
- 9 Button 1 for each line

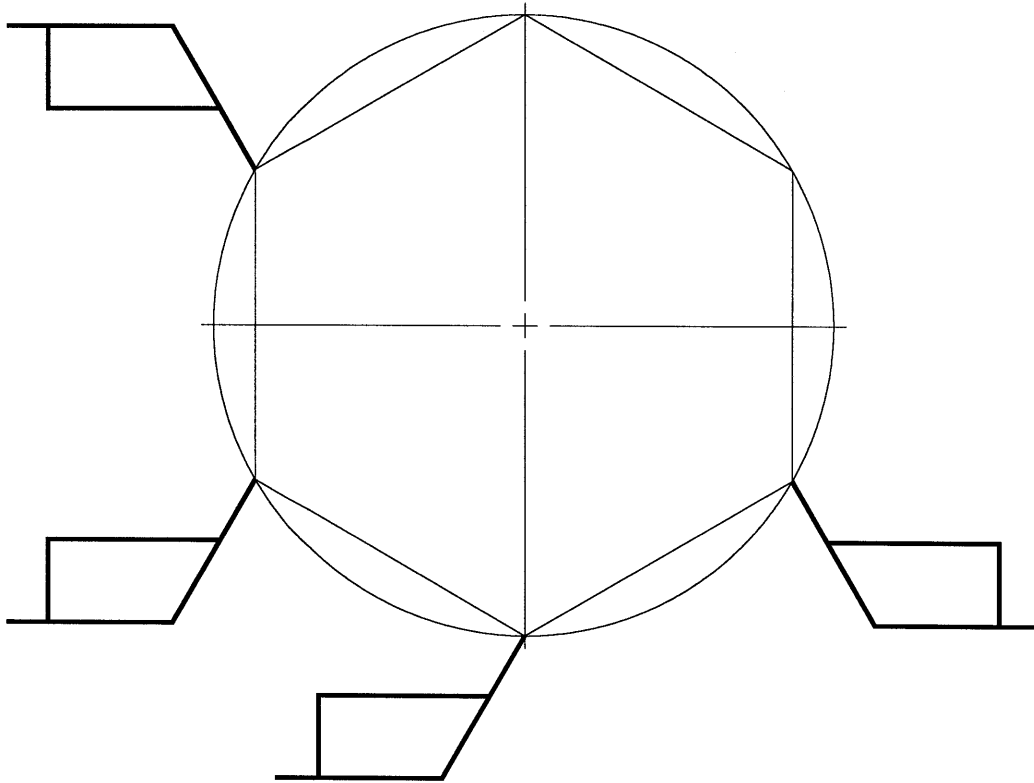
**DRAUGHTING (12)**

MARKS
15
9
9
4
10
2
9
12

**N.B.**

If the solution is presented on squared grid paper only, apply the scheme, but multiply this mark by .75.

QUESTION 5 Paper B 2002



SETTING UP (20)

12 Hexagon -4 if irregular  
8 Fig. F 2 each line

TRANSLATION (12)

4 Line Parallel to AA1  
8 Completion of Figure

AXIAL SYMMETRY (12)

4 Line A1A2  
8 Completion of Figure

CENTRAL SYMMETRY (14)

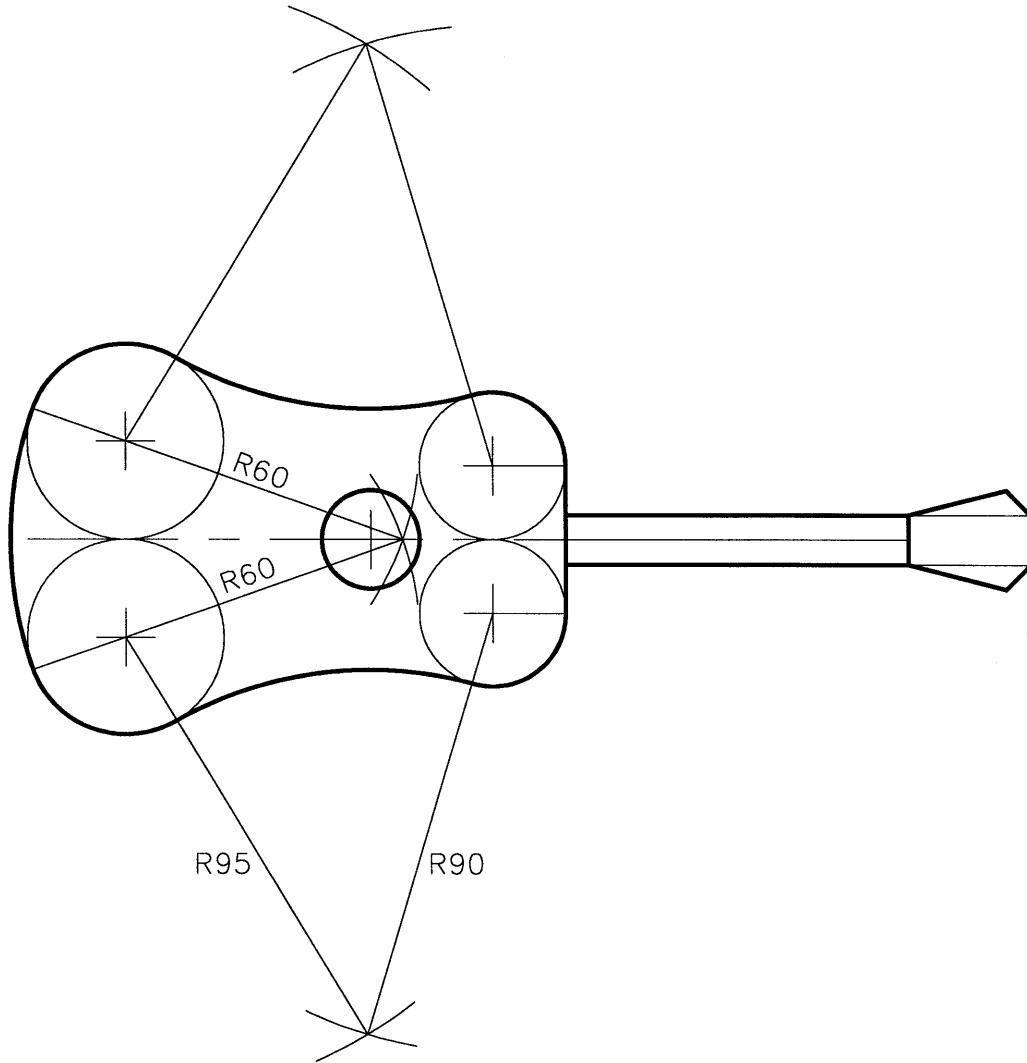
6 Line to locate orientation  
8 Completion of Figure

DRAUGHTING (12)

MARKS
12
8
4
8
4
8
6
8
12



QUESTION 6 Paper B 2002



**SETTING UP (38)**

- 18 Neck 2 each line
- 20 R10, 15 & 20 circles 4 each x 5

**COMPLETION (20)**

- 6 Locating centre for R80 (3 + 3 for arc)
- 14 Locating centre for R75 (4 each + 3 each arcs)

**DRAUGHTING (12)**

MARKS
18
20
6
14
12