



*Junior Certificate Examination, 2016*

*Technical Graphics*

*Ordinary Level*

*Section B*

*(280 marks)*

*Monday, 20 June*

*Morning 9:30 - 12:00*

*Instructions*

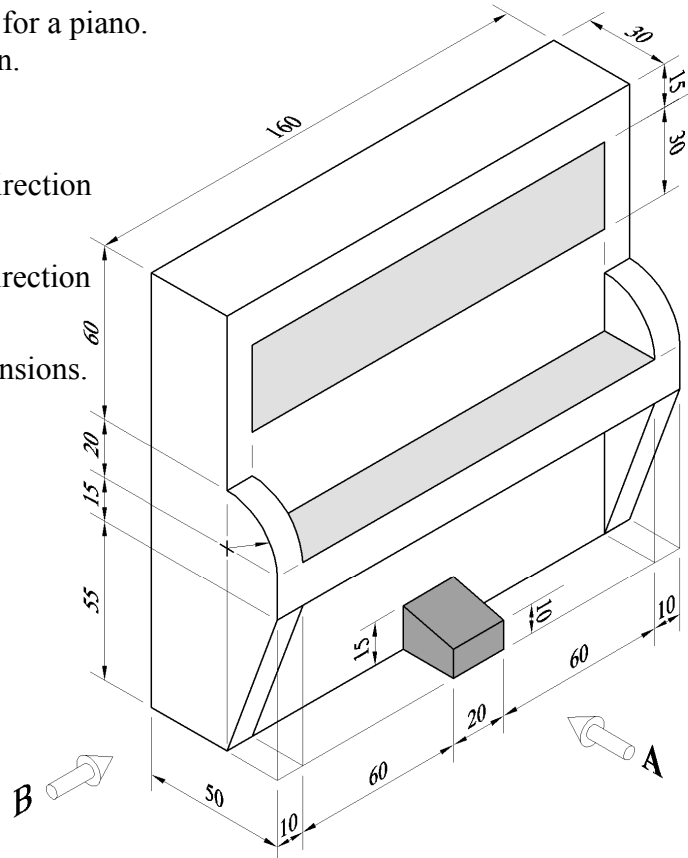
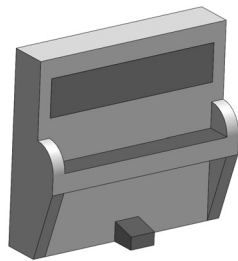
- (a) Answer **any four** questions. All questions carry equal marks.*
- (b) The number of the question must be distinctly marked by the side of each answer.*
- (c) Work on **one side** of the answer paper only.*
- (d) Write your examination number on each sheet of paper used.*

**SECTION B.** Answer **any four** questions. All questions carry equal marks.

- 1.** The figure shows a design for a piano.  
A 3D graphic is also shown.

Draw:

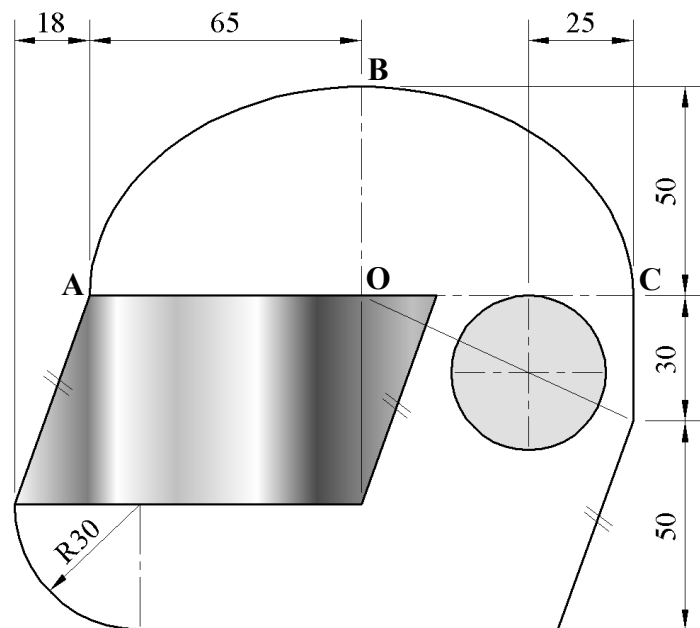
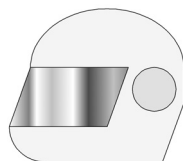
- (a) An elevation in the direction of arrow **A**.
- (b) An end view in the direction of arrow **B**.
- (c) Insert **any four** dimensions.



- 2.** The graphics show the outline of a motorsport helmet.  
The design is based on circles, parallel lines and a semi-ellipse as shown.

The curve **ABC** is a semi-ellipse. **AC** is the **major axis** of the ellipse and is 130 mm long. **OB** is half the **minor axis** and is 50 mm long.

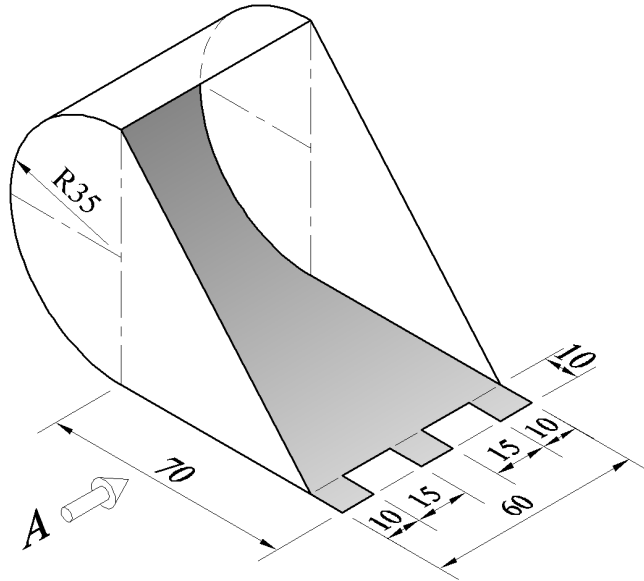
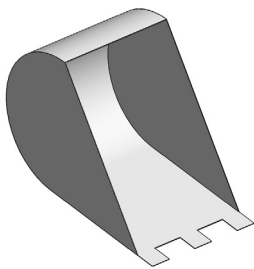
Draw the given ellipse and complete the design showing clearly all constructions.



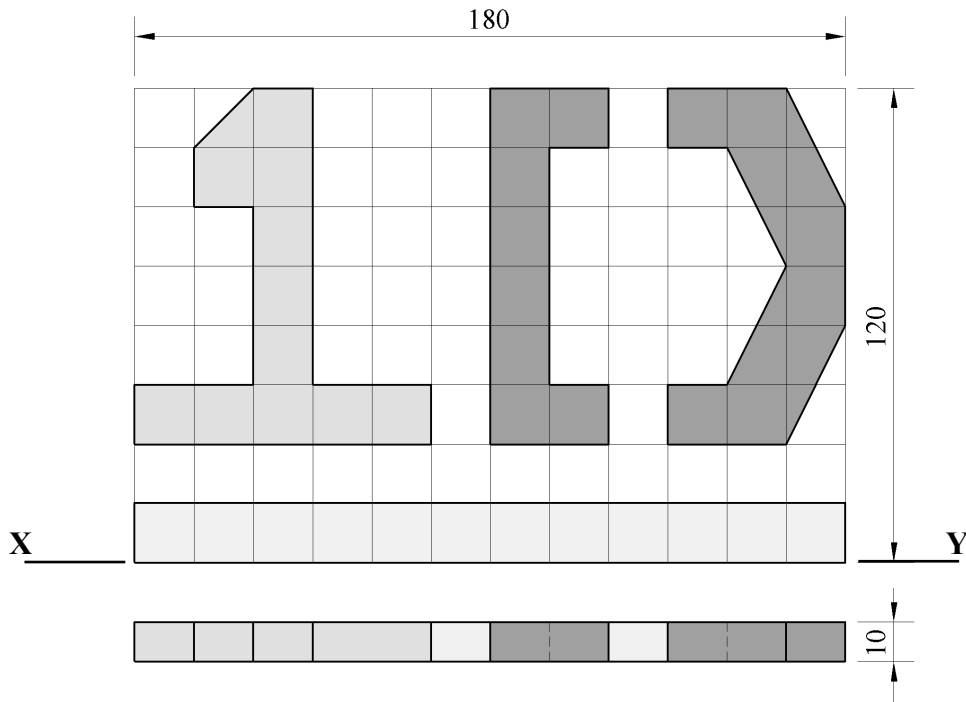
3. The figure shows the bucket of a toy mechanical digger.  
A 3D graphic is also shown.

Draw:

- (a) An elevation in the direction of arrow A.
- (b) A plan projected from the elevation.
- (c) The complete **surface development** of the bucket.



4.



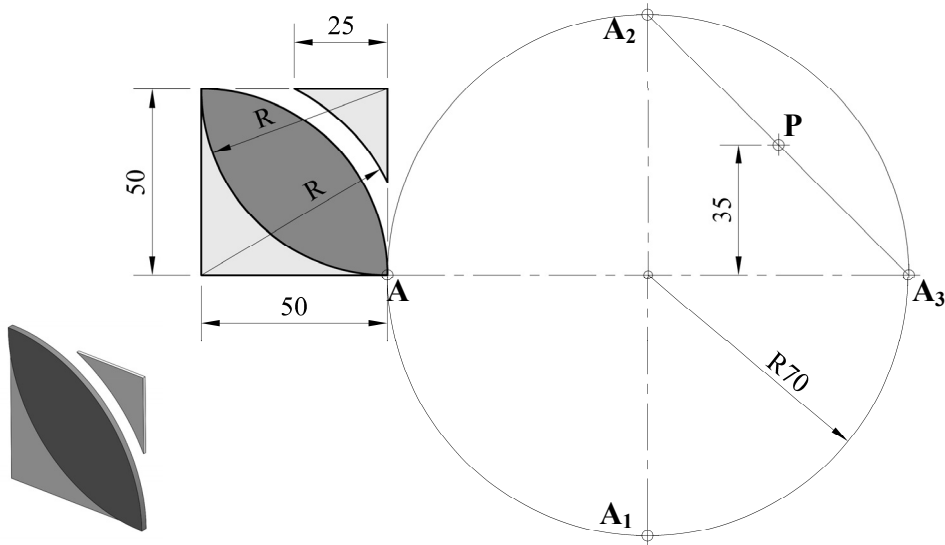
The figure shows the elevation and plan of a band logo.

The grid in elevation is made up of 15 mm squares and the thickness in plan is 10 mm.

- Draw **one** of the following views: (a) An **isometric** view of the initials.  
or  
(b) An **oblique** view of the initials.

*Note: The solution must be presented on standard drawing paper.*

5. The graphics show the design of a logo for a rugby tournament.



- (a) Draw the given logo and then locate the points **A**, **A<sub>1</sub>**, **A<sub>2</sub>**, **A<sub>3</sub>** and **P** as shown.
- (b) Find the image of the given logo under the following transformations:
- From point **A** to **A<sub>1</sub>** by a **translation**;
  - From point **A<sub>1</sub>** to **A<sub>2</sub>** by an **axial symmetry** in the line **A-A<sub>3</sub>**;
  - From point **A<sub>2</sub>** to **A<sub>3</sub>** by a **central symmetry** in the point **P**.

*Note: All geometric constructions must be clearly shown on your drawing sheet.*

6. The figure shows an outline design for a ladies shoe.

Draw the design showing clearly how to find the centres of the circles shown.

Show all construction lines, tangents and points of contact.

