



*Leaving Certificate Examination, 2012*

# *Technology*

## *Ordinary Level*

*Friday, 22 June*  
*Afternoon, 2:00 - 4:00*

There are **three** Sections in this paper. Attempt **all three** Sections.

**Section A:** Core - Short-answer questions.

**Section B:** Core - Long-answer questions.

**Section C:** Options - Long-answer questions.

### *Section A - Core (72 marks)*

**Instructions:**

- (a) Answer **any nine** questions in the spaces provided.  
All questions in Section A carry 8 marks.
- (b) Draw all sketches in pencil.
- (c) Hand up this booklet at the end of the examination.
- (d) Write your examination number in the box provided  
and on all other pages used.

<b>Centre Number</b>

<b>Section</b>	<b>Mark</b>
Section A	
Section B	
Section C	
Total	
Grade	

**Examination Number:**

**Section A.** Answer **any nine** questions. All questions carry 8 marks.

1. *Steve Jobs* (co-founder of Apple) has been described as a modern day *Thomas Edison*.

(i) Give **two** innovations attributed to Steve Jobs.

1. \_\_\_\_\_

2. \_\_\_\_\_

(ii) Name **one** invention by Thomas Edison.

\_\_\_\_\_



2. *Smart cards* are commonly used in everyday life.

(i) Give **one** use of smart cards.

\_\_\_\_\_

(ii) List **two** advantages of using smart cards.

1. \_\_\_\_\_

2. \_\_\_\_\_



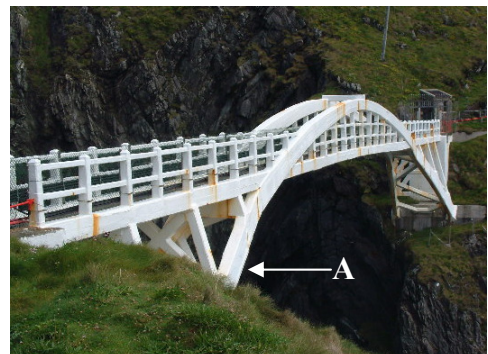
3. The Mizen Bridge is built using *reinforced* concrete.

(i) Name a suitable material used to reinforce concrete.

\_\_\_\_\_

(ii) Name a force acting on element **A** of the bridge.

\_\_\_\_\_



4.

- (i) The graphic shows an LDR sensor used in electronics.  
Write out in full the words represented by LDR.

LDR: \_\_\_\_\_

- (ii) An LDR is a *non-polarised* electronic component.  
Explain what is meant by the term non-polarised.

\_\_\_\_\_  
\_\_\_\_\_  
\_\_\_\_\_



5.

Name **one** energy conversion that takes place  
in a rechargeable battery.

\_\_\_\_\_

The use of *rechargeable* instead of *disposable* batteries is better  
for the environment.

Outline **two** environmental benefits of using rechargeable batteries.

1. \_\_\_\_\_

\_\_\_\_\_

2. \_\_\_\_\_

\_\_\_\_\_



6.

The pen shown is *ergonomically* designed.

Explain what is meant by the term ergonomics.

\_\_\_\_\_

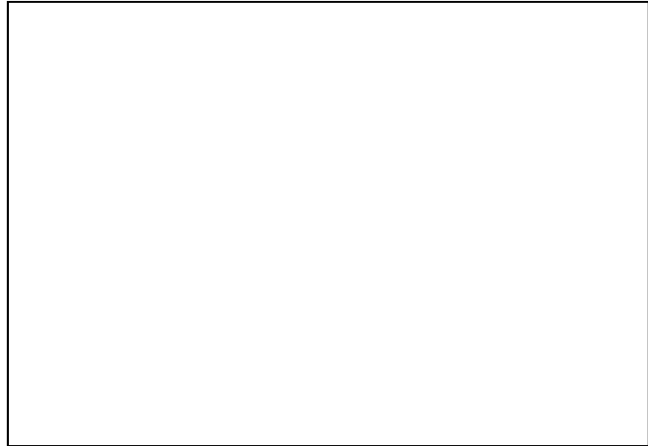
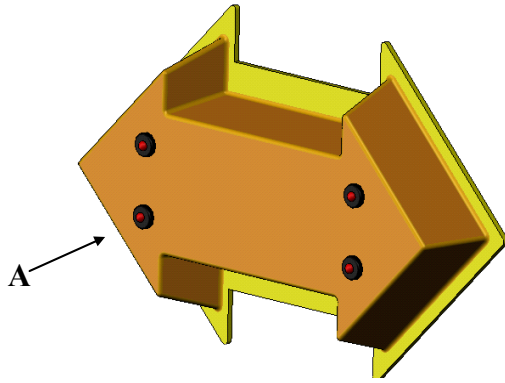
\_\_\_\_\_

\_\_\_\_\_

\_\_\_\_\_



7.



In the box provided, make a well proportioned 2D sketch of the hazard warning light when viewed in the direction of arrow A.

8.

During the London riots of 2010, it was reported that inaccurate and inflammatory accounts of the events were posted on *Social Media* sites and that this may have led to further disturbances.

Name **two** Social Media sites.

1. \_\_\_\_\_

2. \_\_\_\_\_



9.

Shown is the logo of the *Enviromental Protection Agency* (EPA).

Outline the function of the EPA.



---

---

---

---

---

---

---

**10.** List **four** items of work that should be included in a *Work Breakdown Structure* (WBS) for the building of a house.

- 1. \_\_\_\_\_
- 2. \_\_\_\_\_
- 3. \_\_\_\_\_
- 4. \_\_\_\_\_



**11.** Name the gear arrangement shown at A.

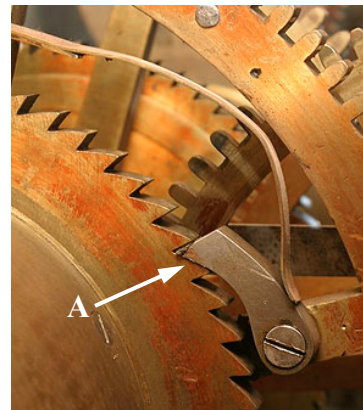
A: \_\_\_\_\_

Give **one** everyday application of this gear arrangement.

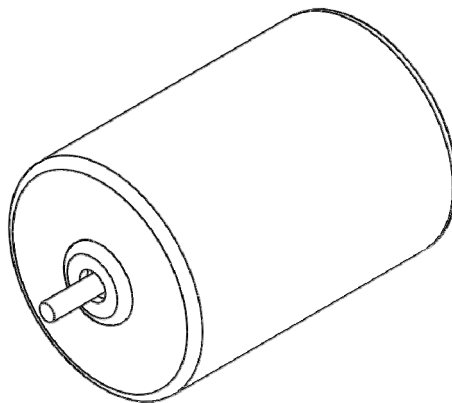
\_\_\_\_\_

\_\_\_\_\_

\_\_\_\_\_



**12.** Use **two** graphic techniques to enhance the graphic representation of the motor shown.



**Blank Page**

**Blank Page**



**Blank Page**